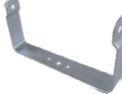


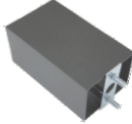




LED Area Light/LED Flood Light
LED-560-L432

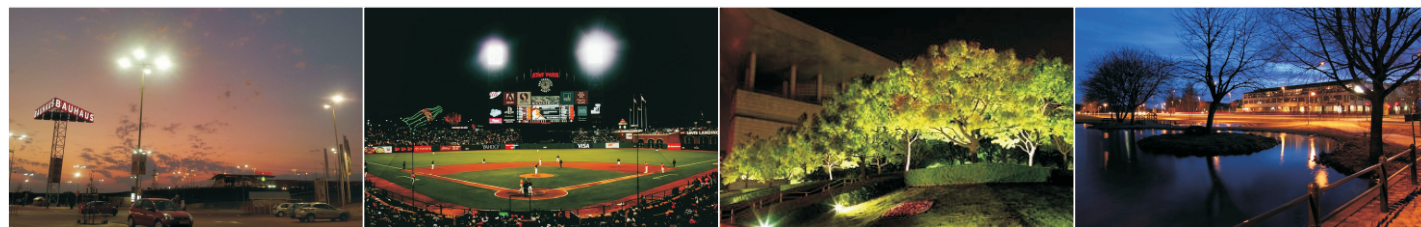


AVAILABLE OPTIONS

-  U Bracket
-  Slip Fitter
-  Trunnion
-  Pole Mount (6"/10")
-  Photo Control
-  Dimming Sensor

This powerful luminaire has been designed to meet diversified installation requirements. It can be used as a flood light and an area light. With built-in heatsinks on the back of the luminaire, the LED560 provides truly spectacular light while keeping the LEDs at a cool temperature.

APPLICATION PROJECTS:



Outdoor Parking

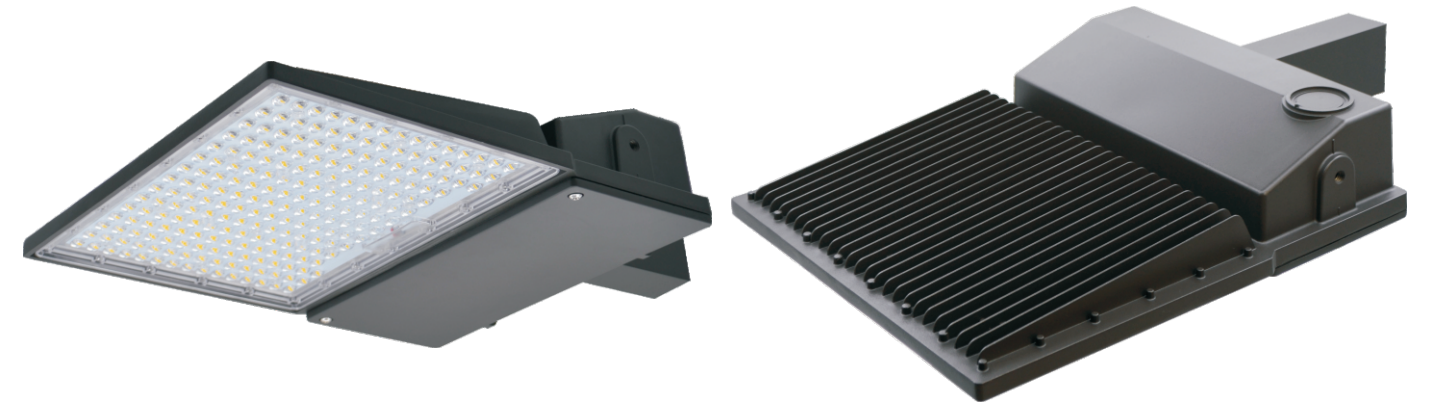
Sports / Stadium

Landscape Lighting

Outdoor Illuminations

* Different LED Kelvin temperature available with 4-6 week lead time. Please call for a quote.
** DISCLAIMER: This test report was produced in accordance with IES LM-79 photometric testing protocol for luminaires, using a single representative test fixture. Actual production units may vary from the values reported here by up to ±10%.

LED Area Light/LED Flood Light
LED-560-L432



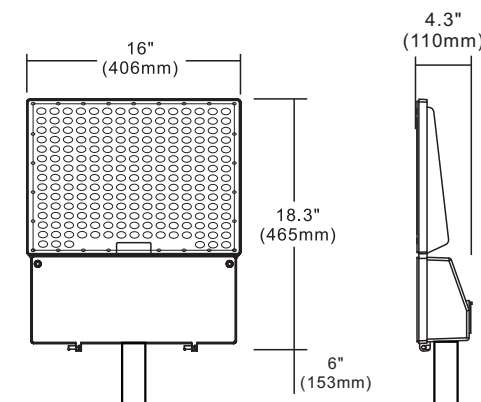
FEATURES

- LISTING**
UL and CUL listed for wet locations
- HOUSING**
Solid construction die-cast aluminum body
- FINISH**
UV stabilized powder coated finish
- LENS**
Optional Type III, Type VS, NEMA7×7, optics with adder
- OPTIONS**
Twist lock photocell with adder
Front hinged cover
Dimmable option with adder
Finish - Bronze. Color option with adder

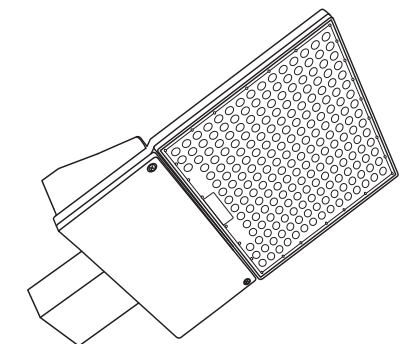
SPECIFICATION

Model No.	LED-560-L216	LED-560-L432
System watts	146	258
Lumen Output	18125 lm**	31924 lm**
Color	5000 K	
MA	104 MA	83 MA
Input Voltage	120~277V	
CRI	70+	
Starting Temp	-40°C	
Equivalent	250-400W MH	1000W MH

DIMENSIONS



LINE DRAWING



* Different LED Kelvin temperature available with 4-6 week lead time. Please call for a quote.
** DISCLAIMER: This test report was produced in accordance with IES LM-79 photometric testing protocol for luminaires, using a single representative test fixture. Actual production units may vary from the values reported here by up to ±10%.