



Product Description:

Heavy-duty die-cast construction with modular LED light engine design, this slim-profile luminaire can be perfectly used in parking garage, canopy or high ceilings. It provides an easy installation with quick mount structure for contractors to work safely and easily in the confined-space areas.

Optional mounting and Kelvin color* with adder.

Features:

LISTING

UL and CUL listed for wet locations

HOUSING

Solid construction die-cast aluminum body

FINISH

UV stabilized power coated finish

LENS

Unique quick mount design

OPTIONS

Dimmable option with adder

Optional photocell with adder

Motion sensor capability

Adjustable directional optics

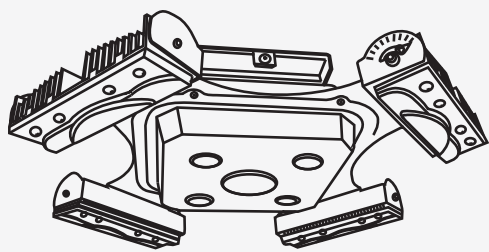
Finish - Gray. Color option with adder

Available Options

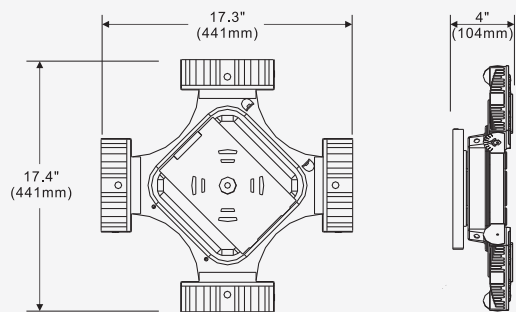


Quick mount

Line Drawing



Dimensions



Specification

Model No. ▶	LED-366
System watts ▶	55
Lumen Output ▶	5100 lm**
Color ▶	5000 K
MA ▶	900 MA
Input Voltage ▶	120~277V
CRI ▶	70+
Starting Temp ▶	-40°C
Equivalent ▶	150W MH

* Different LED Kelvin temperature available with 4-6 week lead time. Please call for a quote.

** DISCLAIMER: This test report was produced in accordance with IES LM-79 photometric testing protocol for luminaires, using a single representative test fixture. Actual production units may vary from the values reported here by up to ±10%.