

Grandlite®

LED HIGH BAY

LED-4650



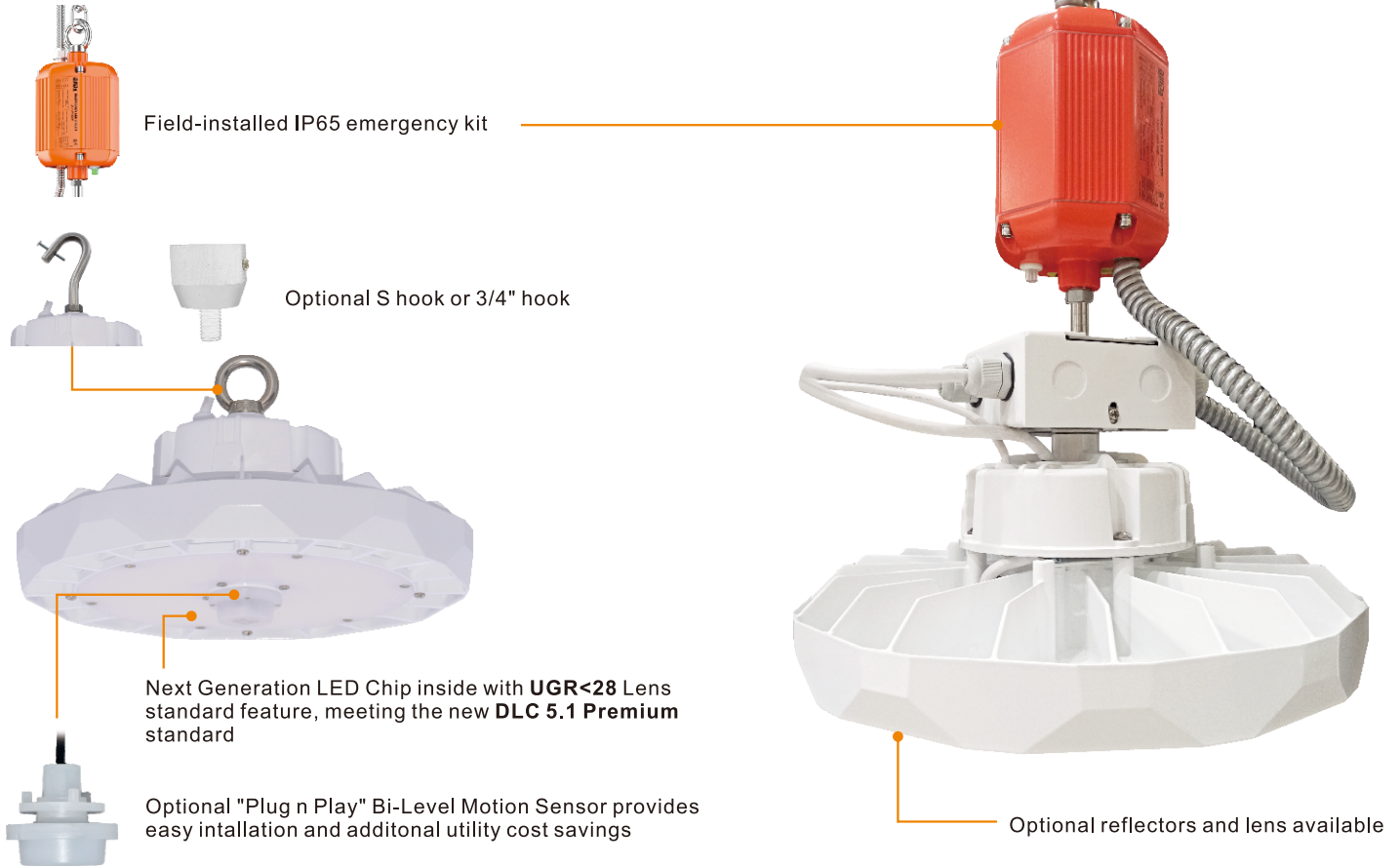
APPLICATIONS

	Retails & Supermarkets
	Hotels & Restaurants
	Commercial Buildings
	Offices And Showrooms
	Schools & Colleges

Meets DLC 5.1
Requirements



PRODUCT DESCRIPTION:



Product Description:

A unique feature is the quick disconnected cable, it can quickly separate the driver from the LED module for easy maintenance. The unit has built-in heat sink and comes with a hook made of die-cast aluminum for a strong and easy installation.

Features:

LISTING

- ▶ UL and CUL listed for damp locations

HOUSING

- ▶ Superior heavy duty die cast aluminum construction

OPTIONS

- ▶ Optional 347V with adder
- ▶ Acrylic reflector, AL reflector
- ▶ 16" Flat glass, Drop lens, Conical drop lens
- ▶ 6KV Surge
- ▶ 1-10V Dimming



Scan QR CODE
for more information



* Different LED Kelvin temperature available with 4-6 week lead time. Please call for a quote.

** DISCLAIMER: This test report was produced in accordance with IES LM-79 photometric testing protocol for luminaires, using a single representative test fixture. Actual production units may vary from the values reported here by up to ±10%.

Performance Data

Model NO.	System Watts	Lumens*	Efficacy*
LED-4650	200W	25875 lm**	135 lm/W*
	240W	31675 lm**	134 lm/W*

Specification:

Example: LED-4650

Model No.	System Watts	Input Voltage	CRI	Color Temp	Distribution	Optional Accessories	Finish	Starting Temp
LED-4650	200=200W 240=240W	UNV=120-277V	8=80+	40=4000 K 50=5000 K	T5=Type V	FC = 16" Flat Glass and Clamp Band A = 16" Drop Lens with Clamp Band Y = 16" Conical Drop Lens with Clamp Band ALW = Aluminum Refractor White ALS = Aluminum Refractor Gloss AC = Acrylic Refractor Clear ACM = Acrylic Refractor Matte WG = 16" Wire Guard OCC = Microwave Occupancy Sensor EM = 30W Emergency Driver	WH =White BK =Black	-40°C

Accessories:



LED-4650-FC

LED-4650-ALW

LED-4650-ALS

LED-4650-AC

LED-4650-ACM



16" Flat Glass And Clamp Band

16" Wire Guard

16" Conical Drop and Clamp Band

16" Drop Lens and Clamp Band



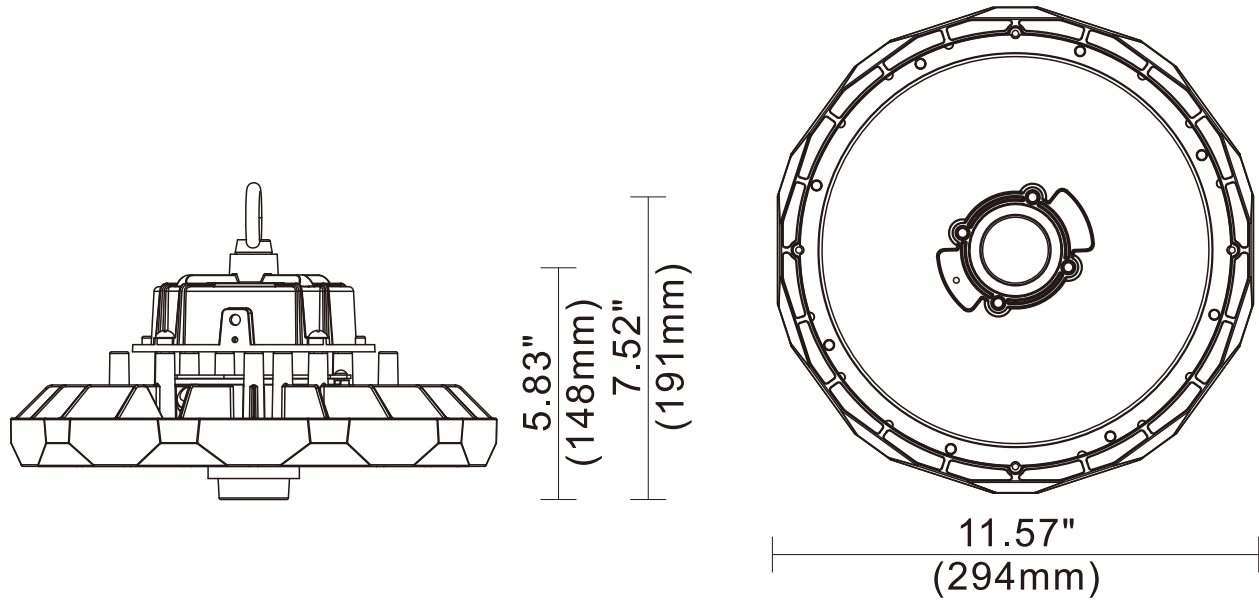
Scan QR CODE
for more information



* Different LED Kelvin temperature available with 4-6 week lead time. Please call for a quote.

** DISCLAIMER: This test report was produced in accordance with IES LM-79 photometric testing protocol for luminaires, using a single representative test fixture. Actual production units may vary from the values reported here by up to ±10%.

Dimension:



505 S. Yorbita Road, City of Industry, CA 91744, USA
Tel: (626) 839-8868 Fax: (626) 581-8099
e-mail: sales@grandlite.com

www.grandliteled.com



Scan QR CODE
for more information