

Grandlite®

LED Surface Mount Light

LED-6590

LED Surface Mount Light



Product Description:

Included Quick Mount Plate for easy and contractor friendly installation



2 types of optional photocell available

Optional continuous sensor

FAO controller allows for different CCT and wattage to choose from.



High impact polycarbonate lens

The hinge design allows for easy opening of the fixture for maintenance.



Meets new DLC 5.1 requirements

Product Description:

Utilizing the latest generation of LED Chips and a patented smart controller, this uniquely designed wall pack not only delivers a similar light output of a 150/200W metal halide, but it also has multiple wattage and CCT to choose from. Housing made out of die-cast aluminum with reliable powder coating. It is attractive in appearance and performance.

Features:

LISTING

UL and CUL listed

HOUSING

Die-cast aluminum body

FINISH

UV stabilized powder coated finish

LENS

High impact polycarbonate lens

OPTIONS

Finish - Bronze. Color option with adder

Optional Photocontrol

Optional continuous sensor

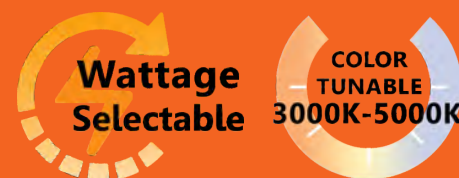
Optional Kelvin color* with adder.



Scan QR CODE for more information

* Different LED Kelvin temperature available with 4-6 week lead time. Please call for a quote.

** DISCLAIMER: This test report was produced in accordance with IES LM-79 photometric testing protocol for luminaires, using a single representative test fixture. Actual production units may vary from the values reported here by up to ±10%.



Meets DLC 5.1 Requirements



Performance Data

Model NO.	Nominal Watts**	Lumens**	Efficacy**
LED-6590	16/30/42/46W	6520 lm*	138 lm/W*
	21/41/61/71W	9886 lm*	138 lm/W*
	32/62/92/100W	14075 lm*	138 lm/W*
* Lumen and Efficacy shows the highest wattage at 5000K			

Specification:

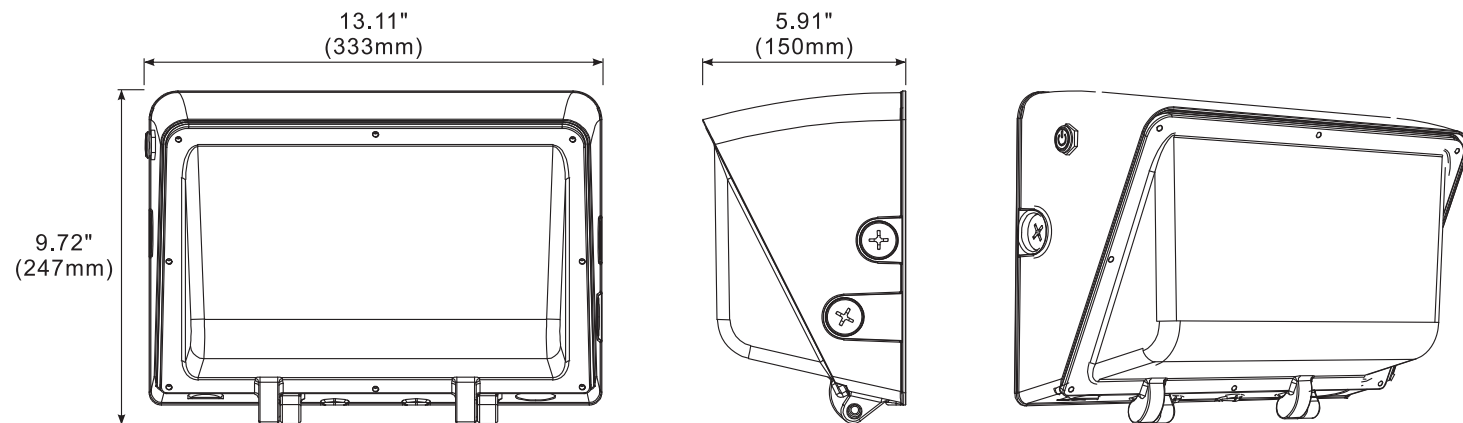
Example: LED-6590

Model No.	Nominal Watts**	Input Voltage	CRI	Color* Temp	Option	Finish	Starting Temp
LED-6590	046=46W	UNV=120-277V	8=80+	TK=5000 K	XS= 10kV Surge	Bronze	-40°C ~ +40°C
	071=71W			/4000K	2S= 20kV Surge		
	100=100W			/3000K	PC = Photocontrol OS = Occupancy Sensor		

* Different LED Kelvin temperature available with 4-6 week lead time. Please call for a quote.

** DISCLAIMER: This test report was produced in accordance with IES LM-79 photometric testing protocol for luminaires, using a single representative test fixture. Actual production units may vary from the values reported here by up to ±10%.

Dimension:



Scan QR CODE for more information

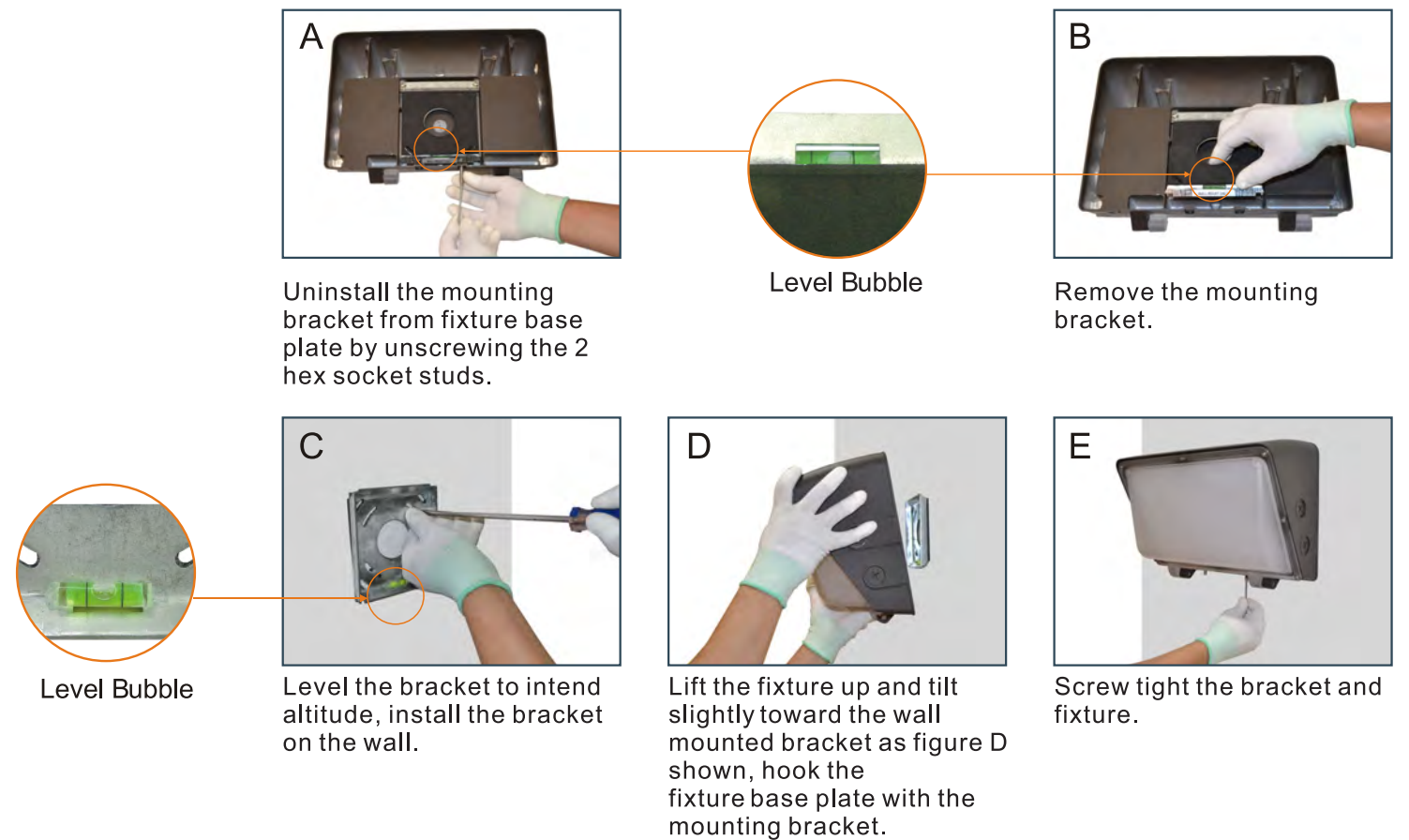


* Different LED Kelvin temperature available with 4-6 week lead time. Please call for a quote.

** DISCLAIMER: This test report was produced in accordance with IES LM-79 photometric testing protocol for luminaires, using a single representative test fixture. Actual production units may vary from the values reported here by up to ±10%.

Quick Mount Guide

Unlike other fixtures which require more than two people to install, our IMB (Intelligence Mounting Bracket) helps you to save time and money. With its light, small and user friendly, you can install this fixture easily with only one person in a much shorter time. Meanwhile, you can check the leveling by using the integrated level bubble on the mounting bracket. In this competitive industry, we understand the importance of saving you labor cost and time. A smart tip!



Level Bubble

Level the bracket to intend altitude, install the bracket on the wall.

Lift the fixture up and tilt slightly toward the wall mounted bracket as figure D shown, hook the fixture base plate with the mounting bracket.

505 S. Yorbita Road, City of Industry, CA 91744, USA
 Tel:(626)839-8868 Fax:(626)581-8099
 e-mail: sales@grandlite.com
www.grandliteled.com



Scan QR CODE for more information