

# Grandlite®

## LED Surface Mount Light

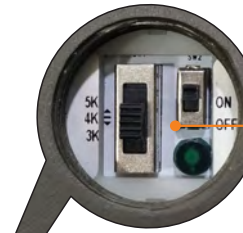
### LED-3590

## LED Surface Mount Light

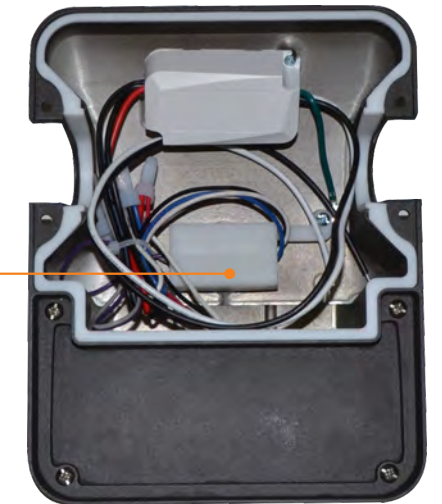


### Product Description:

Heavy duty die-cast aluminum housing



Built in photocontrol and color tunable controller for varieties of CCT.

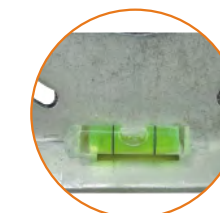


High impact polycarbonate lens



Back ring design for even-balanced installation compatible with both round, octagon, and squared junction box.

Built in level bubble for easy and fast installation.



Level Bubble



Meets new DLC 5.1 requirements

### APPLICATIONS

	Retails & Supermarkets
	Hotels & Restaurants
	Commercial Buildings
	Offices And Showrooms
	Schools & Colleges



Meets DLC 5.1 Requirements



Scan QR CODE for more information

\* Different LED Kelvin temperature available with 4-6 week lead time. Please call for a quote.

\*\* DISCLAIMER: This test report was produced in accordance with IES LM-79 photometric testing protocol for luminaires, using a single representative test fixture. Actual production units may vary from the values reported here by up to ±10%.



## Product Description:

Utilizing the latest generation of LED Chips and a patented smart controller, this uniquely designed wall pack not only delivers a similar light output of a 150/200W metal halide, but it also has multiple wattage and CCT to choose from based on different environments. Housing made out of die-cast aluminum with reliable powder coating specifically for harsh outdoor environment. It is attractive in appearance and performance.

Optional Kelvin color\* with adder.

## Features:

- LISTING**  
UL and CUL listed for wet locations
- HOUSING**  
Die-cast aluminum body
- FINISH**  
UV stabilized powder coated finish
- LENS**  
High impact polycarbonate lens
- OPTIONS**  
Finish - Bronze. Color option with adder  
Optional Photocontrol

## Performance Data

Model NO.	Nominal Watts**	Lumens**	Efficacy**
LED-3590	24W	3500 lm*	145.8 lm/W*

\* Lumen and Efficacy shows the highest wattage at 5000K

## Specification:

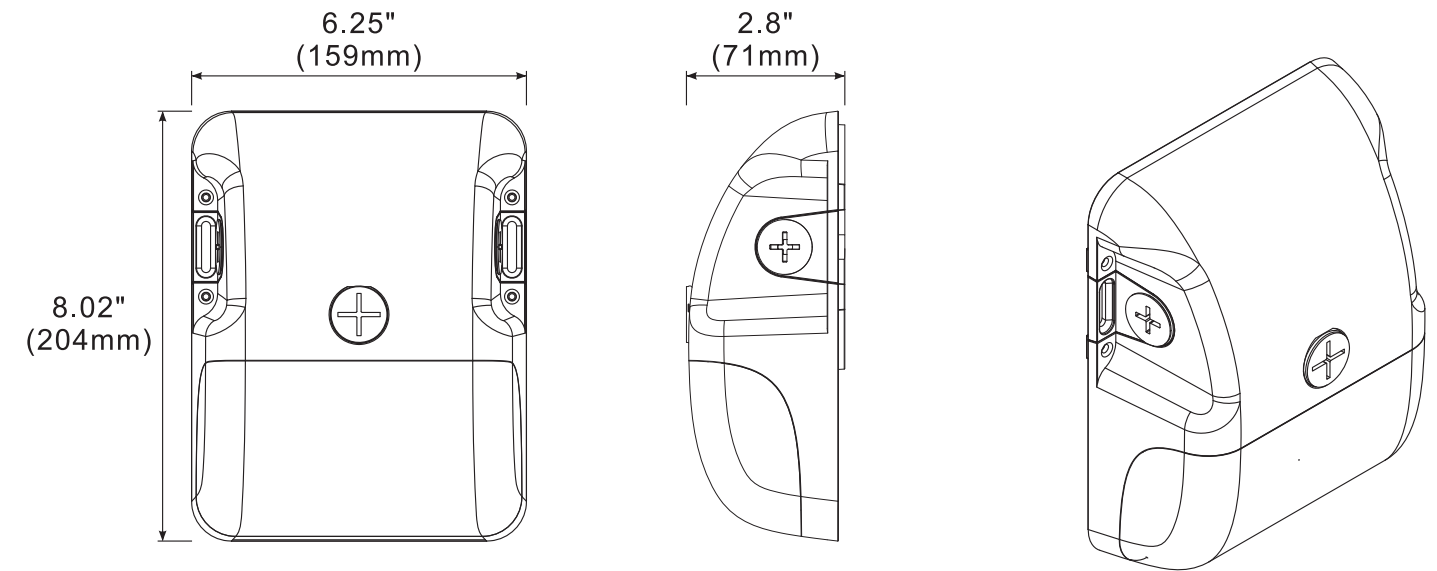
Example: LED-3590

Model No.	Nominal Watts**	Input Voltage	CRI	Color* Temp	Option	Finish	Starting Temp
LED-3590	024=24W	UNV=120-277V	8=80+	TK=5000 K /4000 K /3000 K	XS= 10kV Surge 2S= 20kV Surge PC = Photocontrol	Bronze	-40°C ~ +40°C

\* Different LED Kelvin temperature available with 4-6 week lead time. Please call for a quote.

\*\* DISCLAIMER: This test report was produced in accordance with IES LM-79 photometric testing protocol for luminaires, using a single representative test fixture. Actual production units may vary from the values reported here by up to ±10%.

## Dimension:



Scan QR CODE for more information



\* Different LED Kelvin temperature available with 4-6 week lead time. Please call for a quote.

\*\* DISCLAIMER: This test report was produced in accordance with IES LM-79 photometric testing protocol for luminaires, using a single representative test fixture. Actual production units may vary from the values reported here by up to ±10%.

505 S. Yorbita Road, City of Industry, CA 91744, USA  
Tel:(626)839-8868 Fax:(626)581-8099  
e-mail: sales@grandlite.com

[www.grandliteled.com](http://www.grandliteled.com)



Scan QR CODE for more information