





LED-29XXX Series



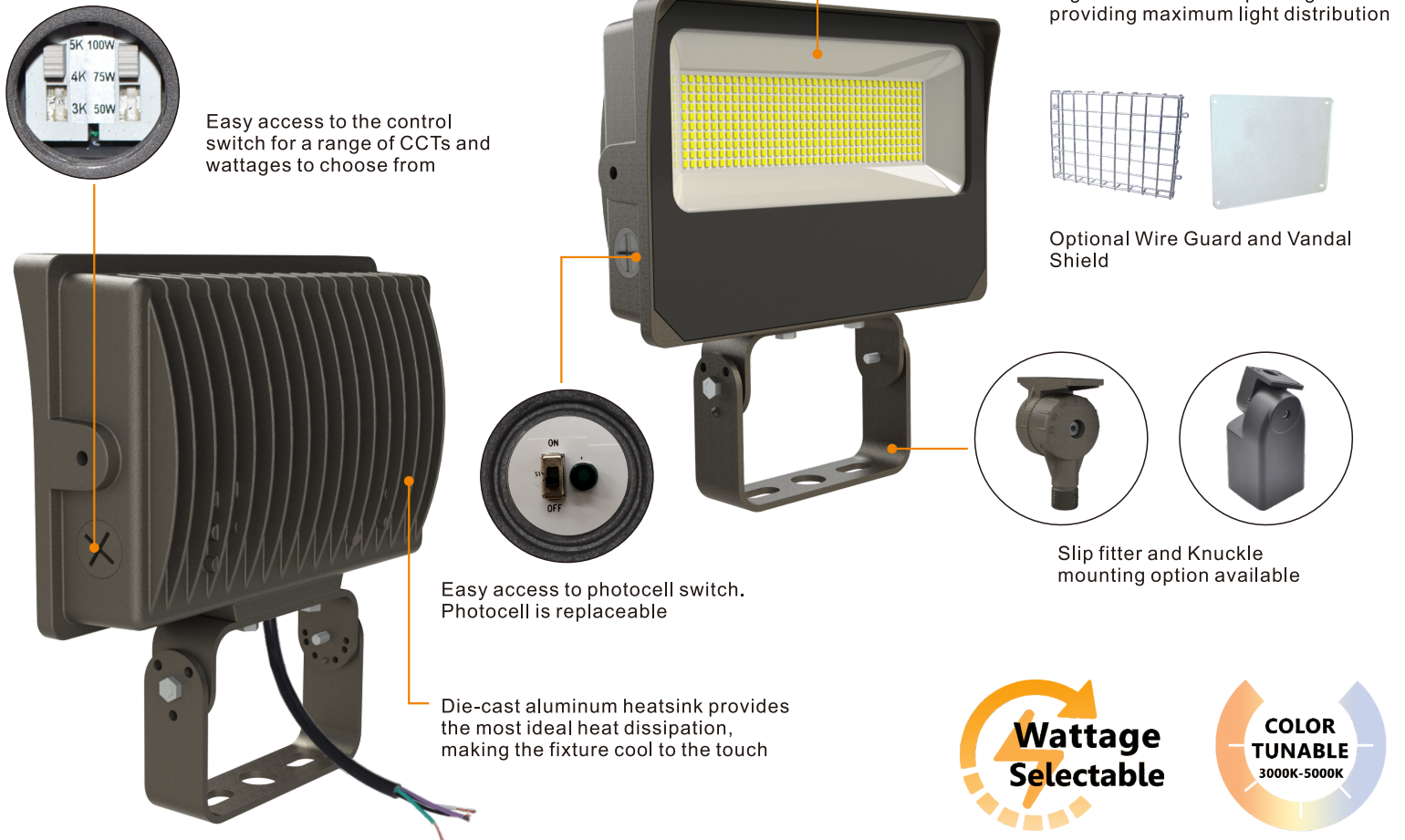
APPLICATIONS

	Street & Tunnel
	Park
	Gas Station
	Parking
	Industrial Site

Meets DLC 5.1
Requirements



Product Description:



Product Description:

This compact but powerful flood light is a true innovation practically and aesthetically. The upgraded color tuning switch allows easy access to a range of CCTs based on different environments. Utilizing performance optics and long lasting driver, these landscape flood lights will last for years to come.

Features:

LISTING

- ▶ UL and CUL listed for wet locations

HOUSING

- ▶ Solid construction die-cast aluminum body

FINISH

- ▶ UV stabilized powder coated finish

OPTIONS

- ▶ Optional photocell
 - ▶ Finish - Bronze. Color options with adder
- Build in color adjustable control ranging from 3000K to 5000K

0-10V Dimming



Scan QR CODE
for more information



* Different LED Kelvin temperature available with 4-6 week lead time. Please call for a quote.

** DISCLAIMER: This test report was produced in accordance with IES LM-79 photometric testing protocol for luminaires, using a single representative test fixture. Actual production units may vary from the values reported here by up to ±10%.

Performance Data

Model NO.	System Watts	Lumens**	Efficacy**
LED-29035	15/25/36W	4772 lm**	137 lm/W**
LED-29060	30/45/60W	8089 lm**	138 lm/W**
LED-29090	50/70/90W	11473 lm**	131 lm/W**
LED-29150	105/120/150W	20154 lm**	132 lm/W**

Lumen and Efficacy are based on the highest wattage at 5000K

Specification:

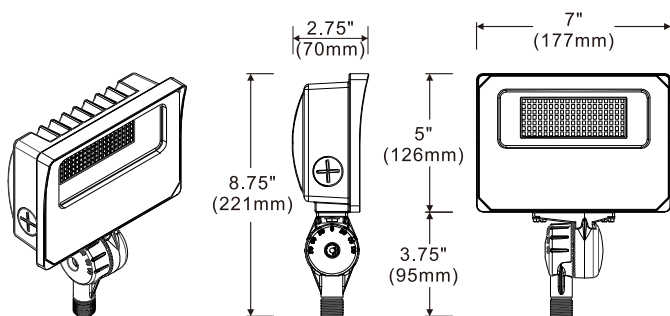
Example: LED-29035V035UNV8TXN7ST-XXXXXX

Model No.	System Watts	Input Voltage	CRI	Color Temp*	Mounting	Finish	Option
LED-29035	36W	UNV= 120-277VAC	8=80+	30=3000 K	SF=Slip Fitter SFS=Knuckle TR=Trunion	WH=White BK=Bronze	BLANK = No Sensor PC = Photocell OS = Occupancy Sensor
LED-29060	60W			40= 4000 K			
LED-29090	90W			50=5000 K			
LED-29150	150W						

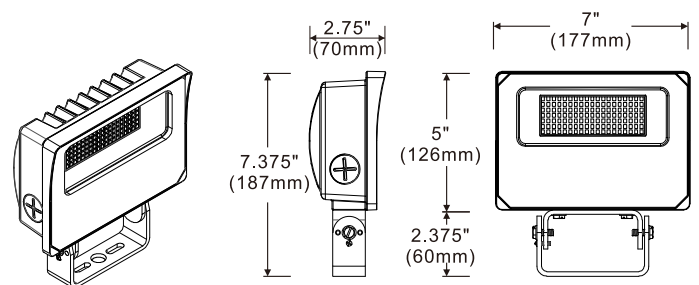
* Different LED Kelvin temperature available with 4-6 week lead time. Please call for a quote.

** DISCLAIMER: This test report was produced in accordance with IES LM-79 photometric testing protocol for luminaires, using a single representative test fixture. Actual production units may vary from the values reported here by up to ±10%.

Dimension:



LED-29035-SFS



LED-29035-TR



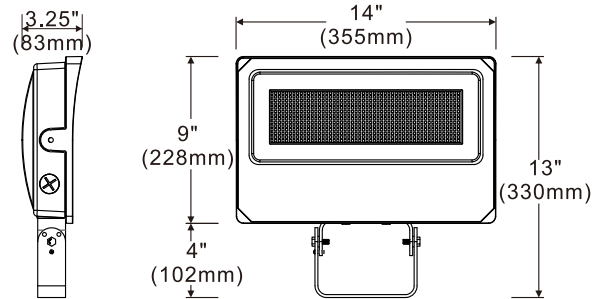
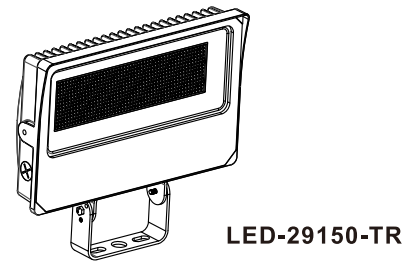
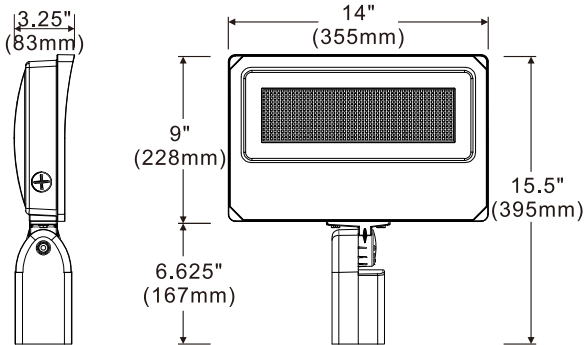
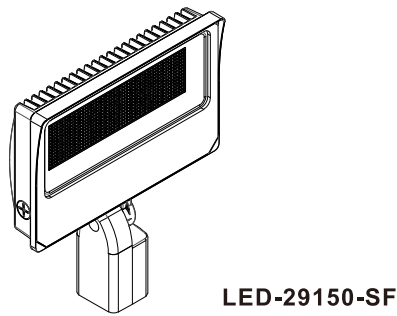
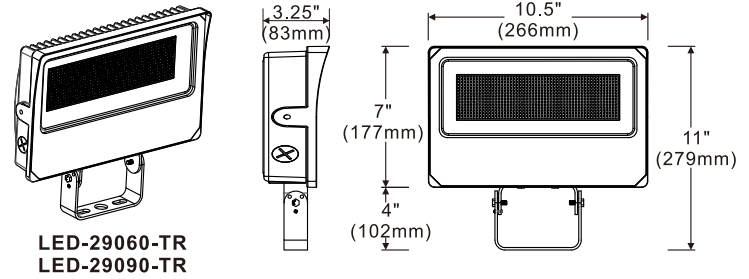
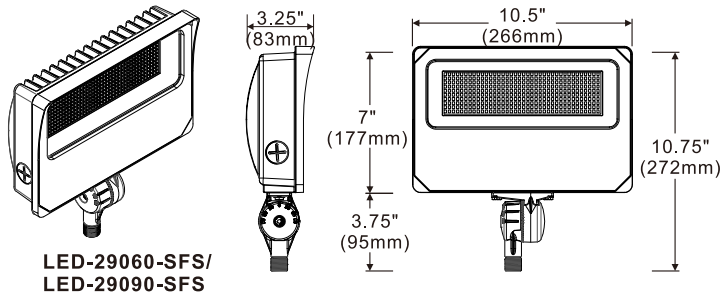
Scan QR CODE
for more information



* Different LED Kelvin temperature available with 4-6 week lead time. Please call for a quote.

** DISCLAIMER: This test report was produced in accordance with IES LM-79 photometric testing protocol for luminaires, using a single representative test fixture. Actual production units may vary from the values reported here by up to ±10%.

Dimension:



505 S. Yorbita Road, City of Industry, CA 91744, USA
Tel: (626) 839-8868 Fax: (626) 581-8099
e-mail: sales@grandlite.com

www.grandliteled.com



Scan QR CODE
for more information