



# LED Canopy Light

## LED-364N



### Product Description:

This canopy light has a slim and low profile design which provides safe and a visually appealing lighting experience. Luminaire can be mounted directly or with 3/4" pendant mounting option. Quick mount structure for contractors to work safely and easily in the confined-space areas. It is a perfect solution to replace 100W metal halide lamp with a benefit of low maintenance cost.

Optional mounting and Kelvin color\* with adder.

### Features:

**LISTING**

UL and CUL listed

**HOUSING**

Solid construction die-cast aluminum body

**FINISH**

UV stabilized power coated finish

**LENS**

Unique quick mount design

**OPTIONS**

Finish - Bronze. Color option with adder

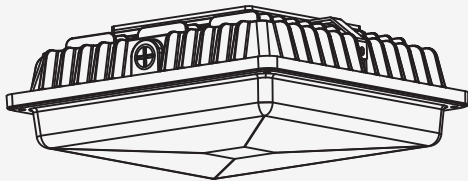
Glare - free

### Available Options

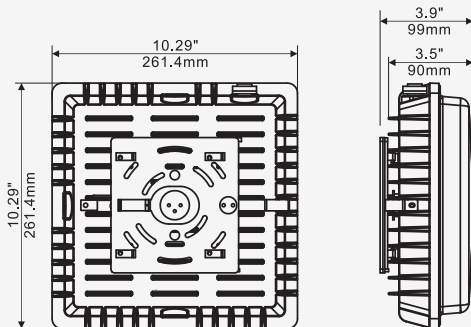


Optional photo control    Optional sensor    Quick mount

### Line Drawing



### Dimensions



### Specification

Model No. ▶	LED-364N		
System watts ▶	25	40	57
Lumen Output ▶	2300 lm**	4803 lm**	6313 lm**
Color ▶	4000K/5000K		
MA ▶	480 MA	950 MA	1400 MA
Input Voltage ▶	120~277V		
CRI ▶	70+		
Starting Temp ▶	-40°C		
Equivalent ▶	70W-100W MH	100W MH	100W-150W MH

\* Different LED Kelvin temperature available with 4-6 week lead time. Please call for a quote.

\*\* DISCLAIMER: This test report was produced in accordance with IES LM-79 photometric testing protocol for luminaires, using a single representative test fixture. Actual production units may vary from the values reported here by up to ±10%.

