

### LED-Cylinder



LED-3815W ( 3" )



LED-4225W ( 4" )



LED-6040W ( 6" )

#### APPLICATIONS

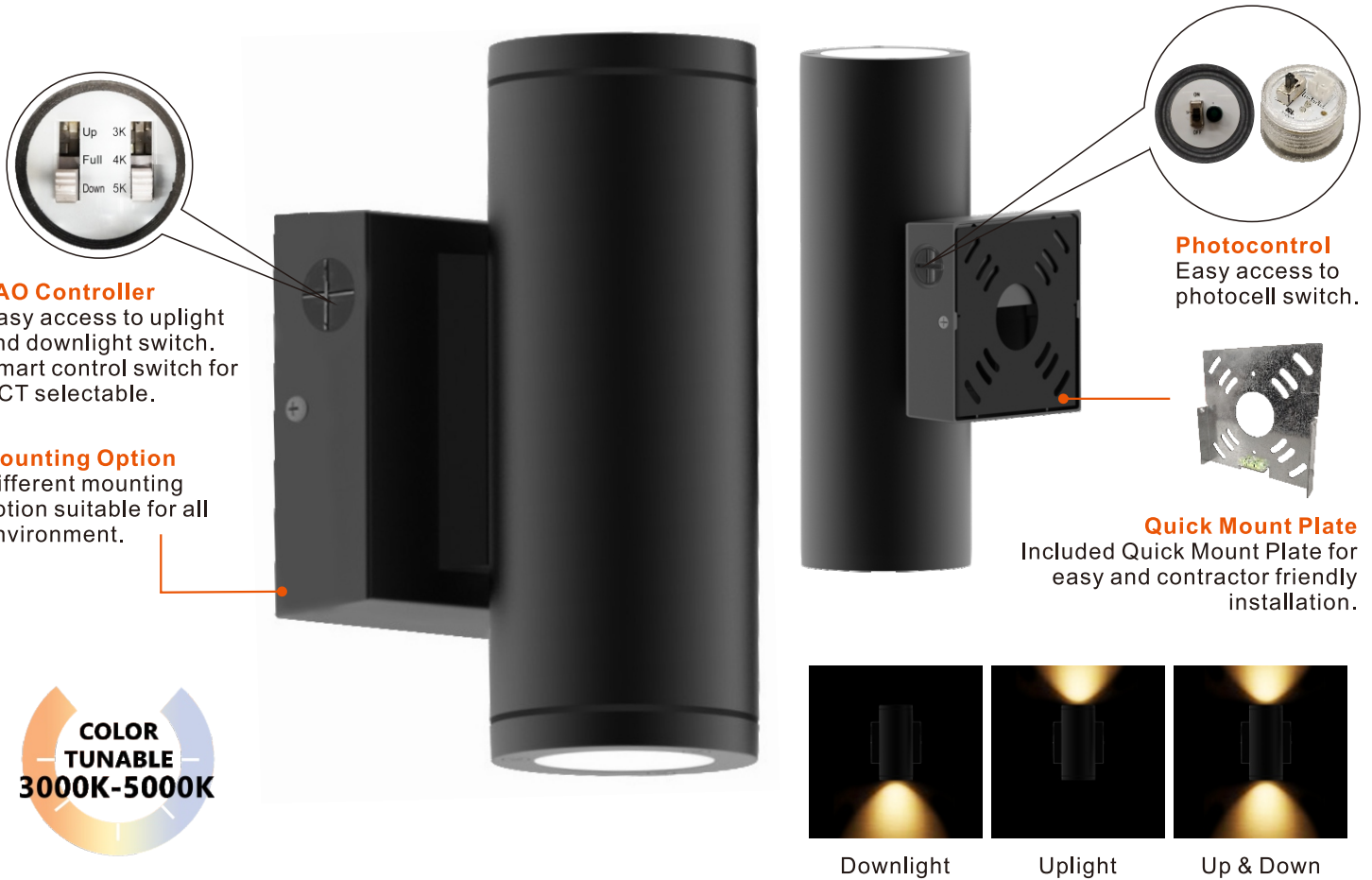
	Retails & Supermarkets
	Hotels & Restaurants
	Commercial Buildings
	Offices And Showrooms
	Schools & Colleges



Meets DLC 5.1 Requirements



### PRODUCT DESCRIPTION:



### Product Description:

This cylinder architectural series is elegant and functional. With different mounting options and CCT selectable, the fixtures provides high flexibility for all environments. The high performance LEDs and long lasting driver also provides effective lighting all around.

### Features:

#### LISTING

- ▶ UL and CUL listed

#### HOUSING

- ▶ Aluminum extrusion body

#### FINISH

- ▶ UV stabilized powder coated finish for outdoor



Scan QR CODE  
for more information



\* Different LED Kelvin temperature available with 4-6 week lead time. Please call for a quote.

\*\* DISCLAIMER: This test report was produced in accordance with IES LM-79 photometric testing protocol for luminaires, using a single representative test fixture. Actual production units may vary from the values reported here by up to ±10%.

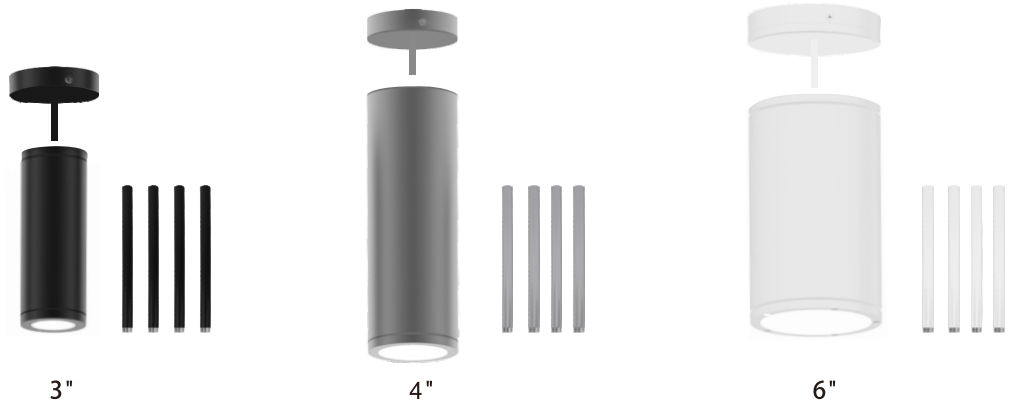
## Mounting Option

### Wall Mount



### Cable Suspension Mount

Optional four 12" connectable stems (4ft total)



### Ceiling Mount



### Direct Mount



Scan QR CODE for more information

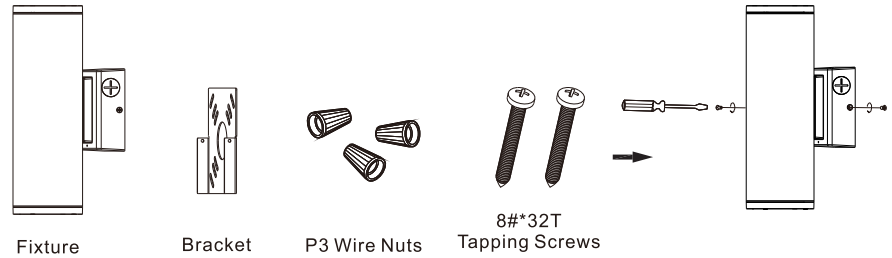


\* Different LED Kelvin temperature available with 4-6 week lead time. Please call for a quote.

\*\* DISCLAIMER: This test report was produced in accordance with IES LM-79 photometric testing protocol for luminaires, using a single representative test fixture. Actual production units may vary from the values reported here by up to ±10%.

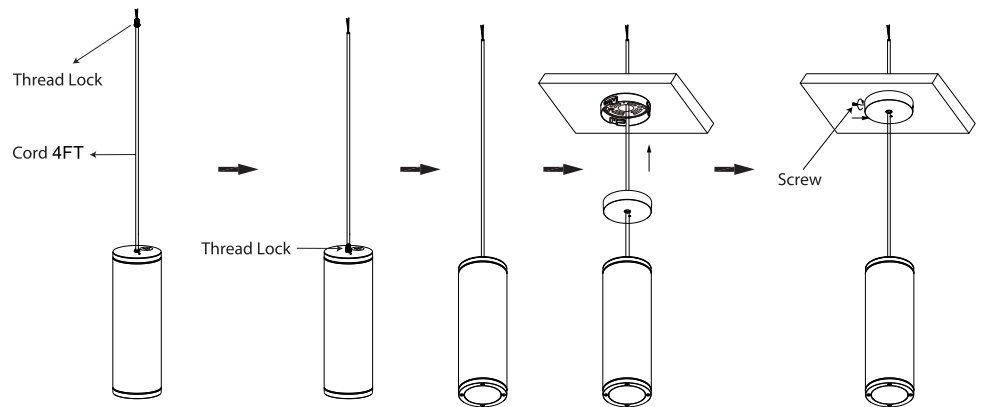
## Installation Method

### Wall Mount

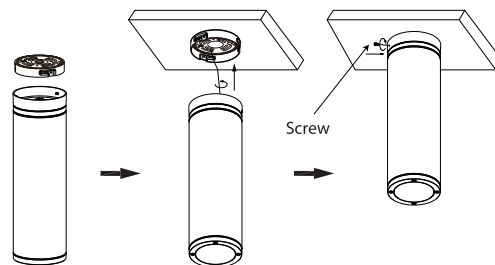


### Cable Suspension Mount

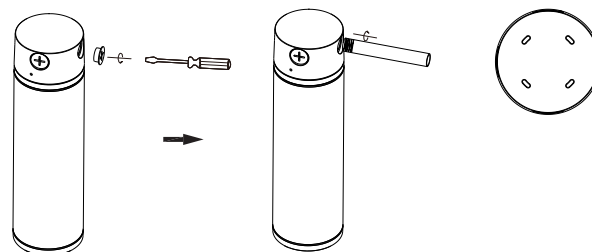
Optional four 12" connectable stems (4ft total)



### Ceiling Mount



### Direct Mount



Scan QR CODE for more information



\* Different LED Kelvin temperature available with 4-6 week lead time. Please call for a quote.

\*\* DISCLAIMER: This test report was produced in accordance with IES LM-79 photometric testing protocol for luminaires, using a single representative test fixture. Actual production units may vary from the values reported here by up to ±10%.

## Performance Data

Model NO.	Nominal Watts**	Lumen**	Efficacy**	Angle
LED-3815W	13W	1559 lm**	126 lm/W**	45° / 75° * *45° is only exclusive for 4225 and 6040 series
LED-4225W	20W	2542 lm**	130 lm/W**	
LED-6040W	33W	4571 lm**	147 lm/W**	
LED-3815C/P	13W	1670 lm**	125 lm/W**	
LED-4225C/P	20W	2485 lm**	120 lm/W**	
LED-6040C/P	33W	4825 lm**	140 lm/W**	
LED-4225D	20W	2485 lm**	120 lm/W**	
LED-6040D	33W	4825 lm**	140 lm/W**	

\*\* Lumen and Efficacy are based on highest wattage 5000K at 75° Angle

## Specification:

Example: LED-Cylinder

Model No.	Nominal Watts**	Input Voltage	CRI	Color Temp*	Angle	Optional Accessories	Finish	Starting Temp
LED-3815W	13=13W	UNV=120-277V	8=80+	TX =	45°	R = 4ft (4x12") connectable stems and base for Pendant Mount	WH=White BK=Black GY=Gray	-40°C
LED-4225W	20=20W			3000K	75°			
LED-6040W	33=33W			4000K				
LED-3815C/P	13=13W			5000K				
LED-4225C/P	20=20W							
LED-6040C/P	33=33W							
LED-4225D	20=20W							
LED-6040D	33=33W							

45° is only exclusive for 4225 and 6040 series



Scan QR CODE for more information

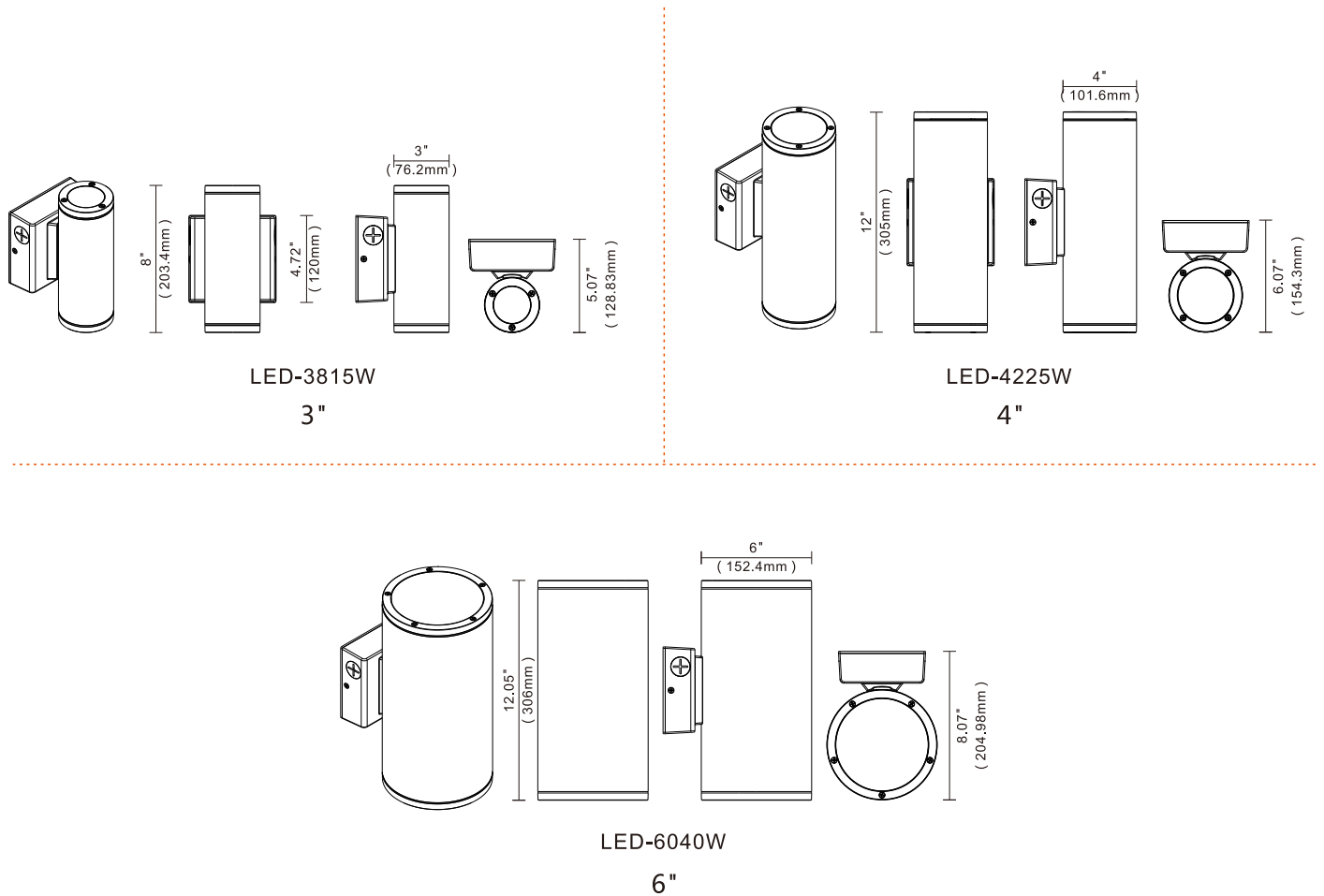


\* Different LED Kelvin temperature available with 4-6 week lead time. Please call for a quote.

\*\* DISCLAIMER: This test report was produced in accordance with IES LM-79 photometric testing protocol for luminaires, using a single representative test fixture. Actual production units may vary from the values reported here by up to ±10%.

### Dimension:

### Wall Mount



Scan QR CODE  
for more information

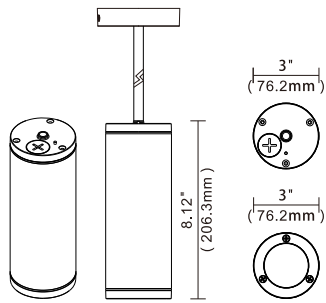


\* Different LED Kelvin temperature available with 4-6 week lead time. Please call for a quote.

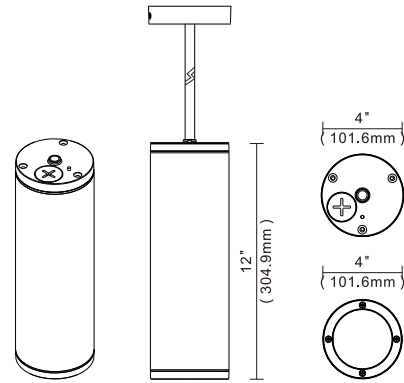
\*\* DISCLAIMER: This test report was produced in accordance with IES LM-79 photometric testing protocol for luminaires, using a single representative test fixture. Actual production units may vary from the values reported here by up to ±10%.

## Dimension:

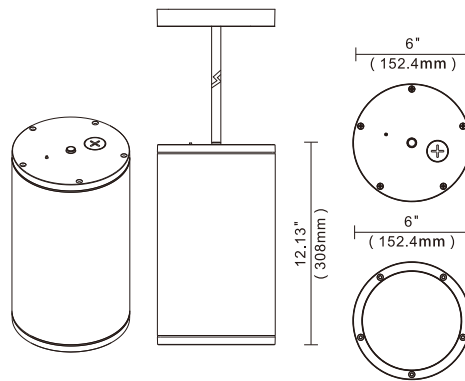
### Cable Suspension Mount



LED-3815C/P  
3"



LED-4225C/P  
4"



LED-6040C/P  
6"



Scan QR CODE  
for more information

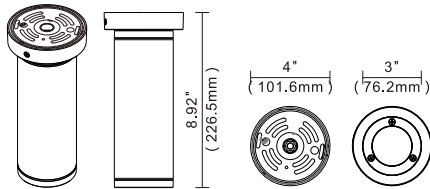


\* Different LED Kelvin temperature available with 4-6 week lead time. Please call for a quote.

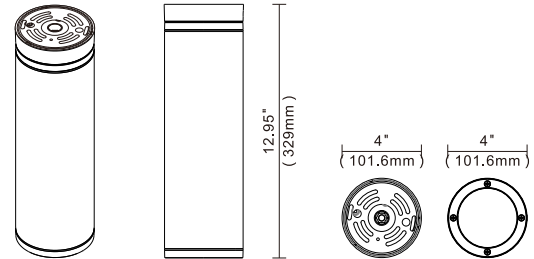
\*\* DISCLAIMER: This test report was produced in accordance with IES LM-79 photometric testing protocol for luminaires, using a single representative test fixture. Actual production units may vary from the values reported here by up to ±10%.

## Dimension:

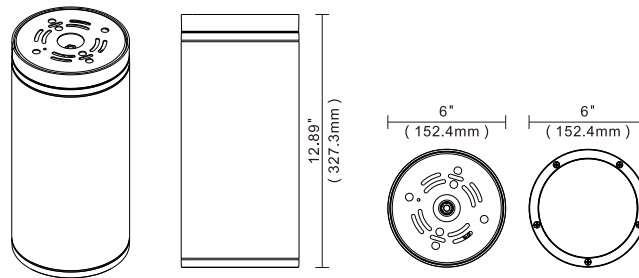
### Ceiling Mount



LED-3815C/P  
3"

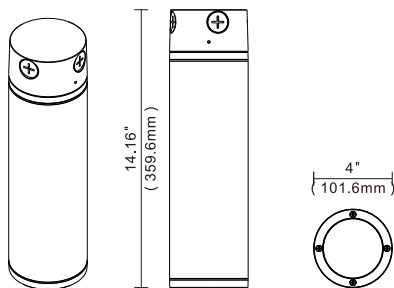


LED-4225C/P  
4"

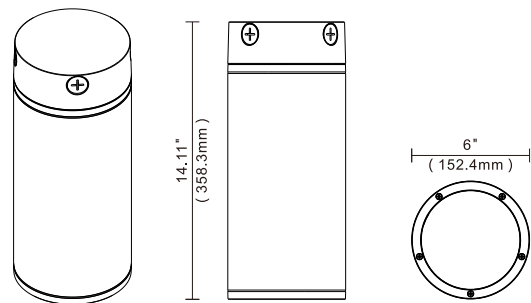


LED-6040C/P  
6"

### Direct Mount



LED-4225D  
4"



LED-6040D  
6"



Scan QR CODE  
for more information



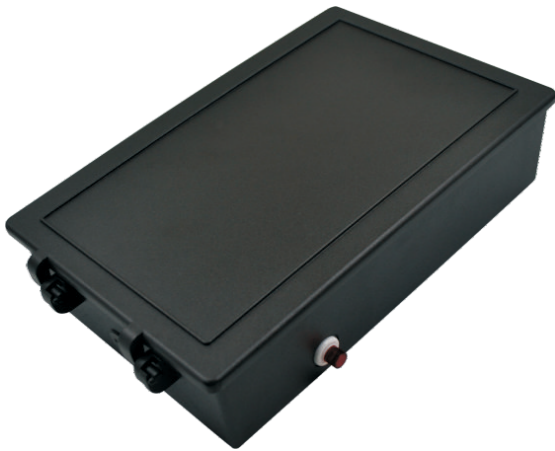
\* Different LED Kelvin temperature available with 4-6 week lead time. Please call for a quote.

\*\* DISCLAIMER: This test report was produced in accordance with IES LM-79 photometric testing protocol for luminaires, using a single representative test fixture. Actual production units may vary from the values reported here by up to ±10%.



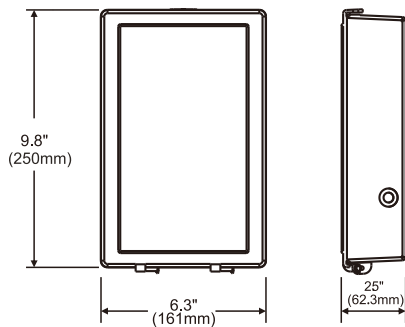
## Optional EM adder

In the event of a utility power failure, the built-in battery pack provides 90 minutes of emergency illumination.

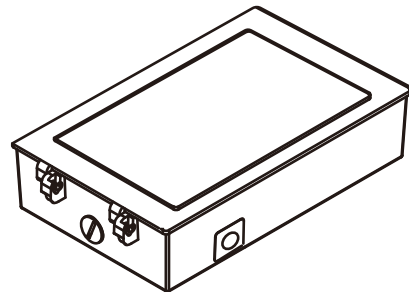


4"

## Dimensions



## Line Drawing



## Features

- IP65
- Die-cast aluminum body
- UV stabilized powder coated finish
- Surface, wall mount; universal mounting pattern knockouts for 4" octagon or 4" square electrical boxes.
- Two 1/2-14 NPT threaded conduit entries in back box.

505 S. Yorbita Road, City of Industry, CA 91744, USA  
Tel: (626)839-8868 Fax: (626)581-8099  
e-mail: sales@grandlite.com

[www.grandliteled.com](http://www.grandliteled.com)



Scan QR CODE  
for more information