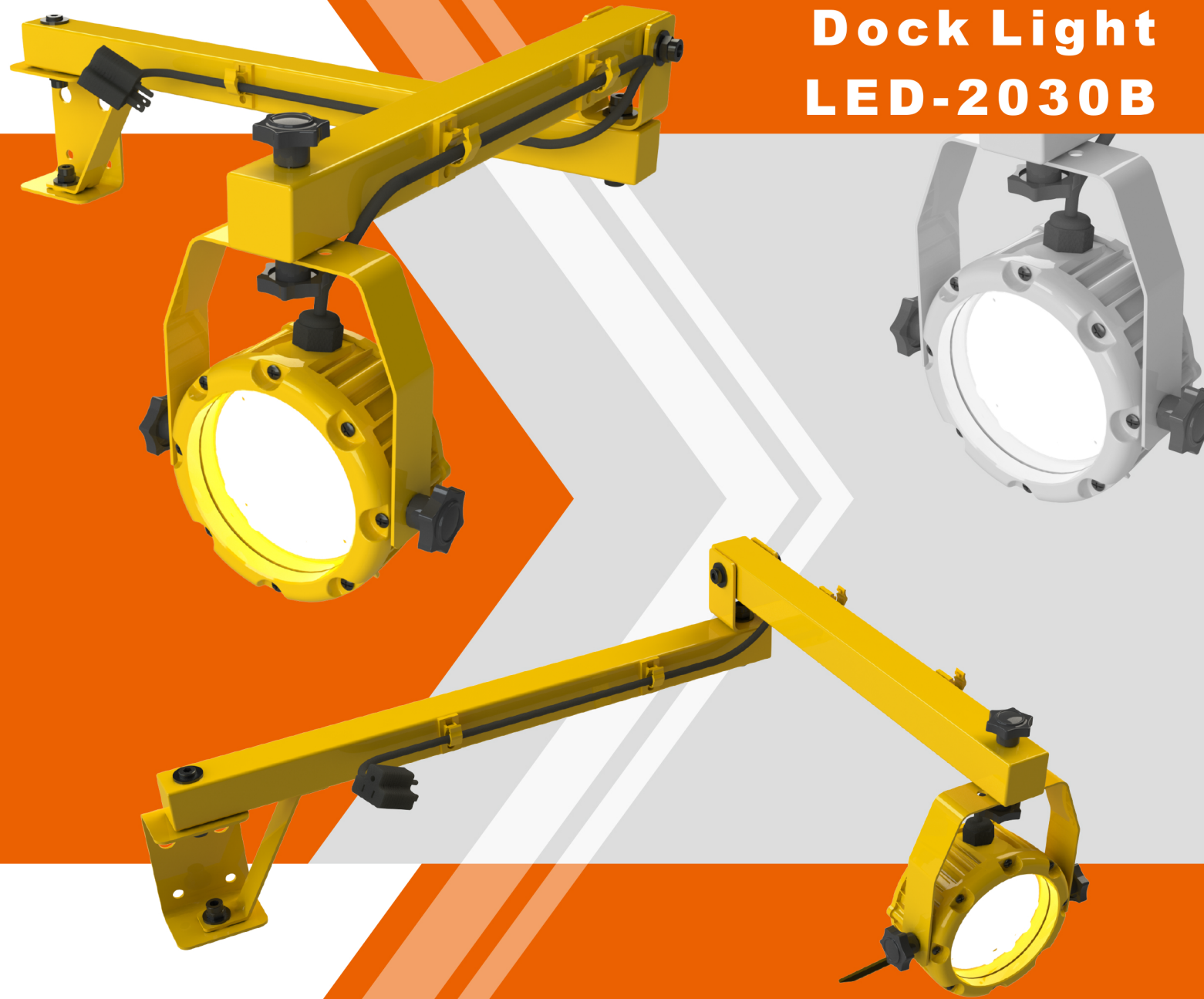


Grandlite®

Dock Light LED-2030B



APPLICATIONS

	Street & Tunnel
	Park
	Gas Station
	Parking
	Industrial Site



Meets DLC 5.1 Requirements



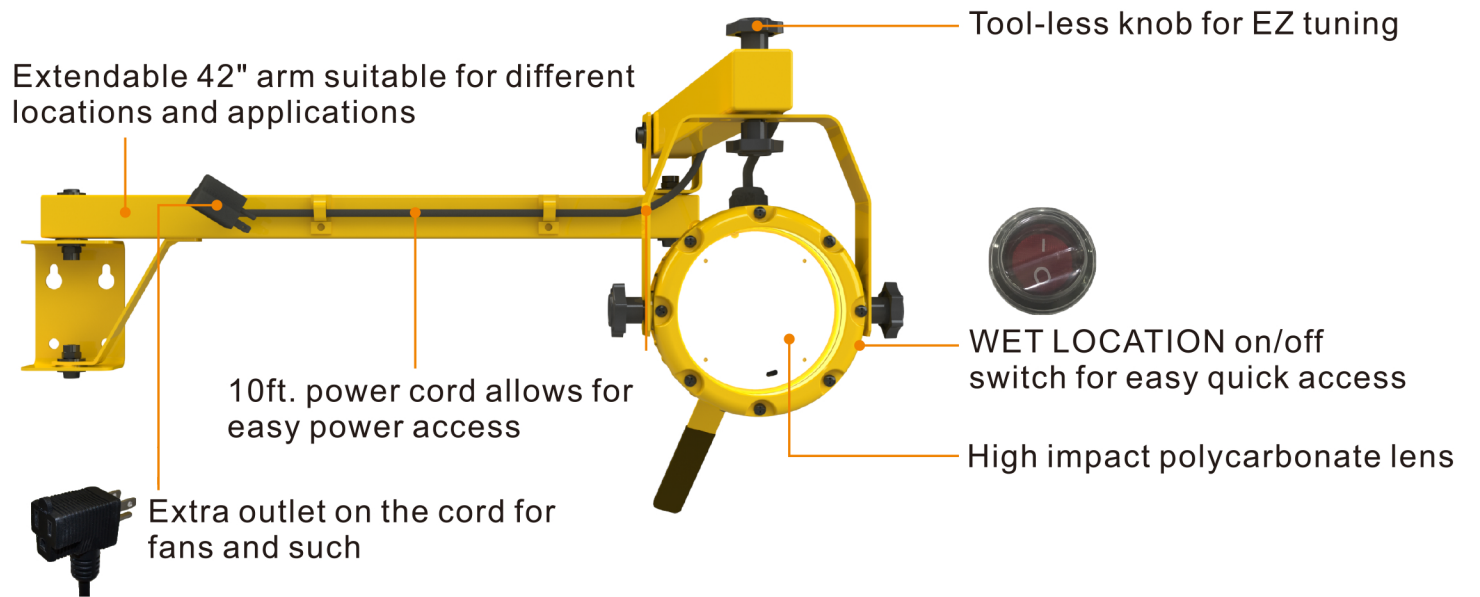
2021-12

Dock Light

Grandlite®

Product Description:

Extendable 42" arm suitable for different locations and applications



360 degree vertical and horizontal rotation with no blind spot

Cord Grip for organizing and safety

Heavy duty die-cast aluminum housing and arm

Hand handle for quick movement

Easy to install and assemble to your desired length.



Scan QR CODE for more information

* Different LED Kelvin temperature available with 4-6 week lead time. Please call for a quote.

** DISCLAIMER: This test report was produced in accordance with IES LM-79 photometric testing protocol for luminaires, using a single representative test fixture. Actual production units may vary from the values reported here by up to ±10%.



Product Description:

360-degree heavy duty dock light is perfect for different construction sites. With the 42" adjustable arm, this dock light can illuminate areas in any direction. In addition, the adjustable knobs and built-in on/off switch allow for easy access of the fixture. Utilizing high performance lumen output and long lasting driver, this dock light will last for years to come.

Optional Kelvin color* with adder.

Features:

LISTING

▶ UL and CUL listed for damp locations

HOUSING

▶ Heavy duty die-cast aluminum

FINISH

▶ UV stabilized powder coated finish

OPTIONS

▶ Finish - Yellow. Color options with adder

Performance Data

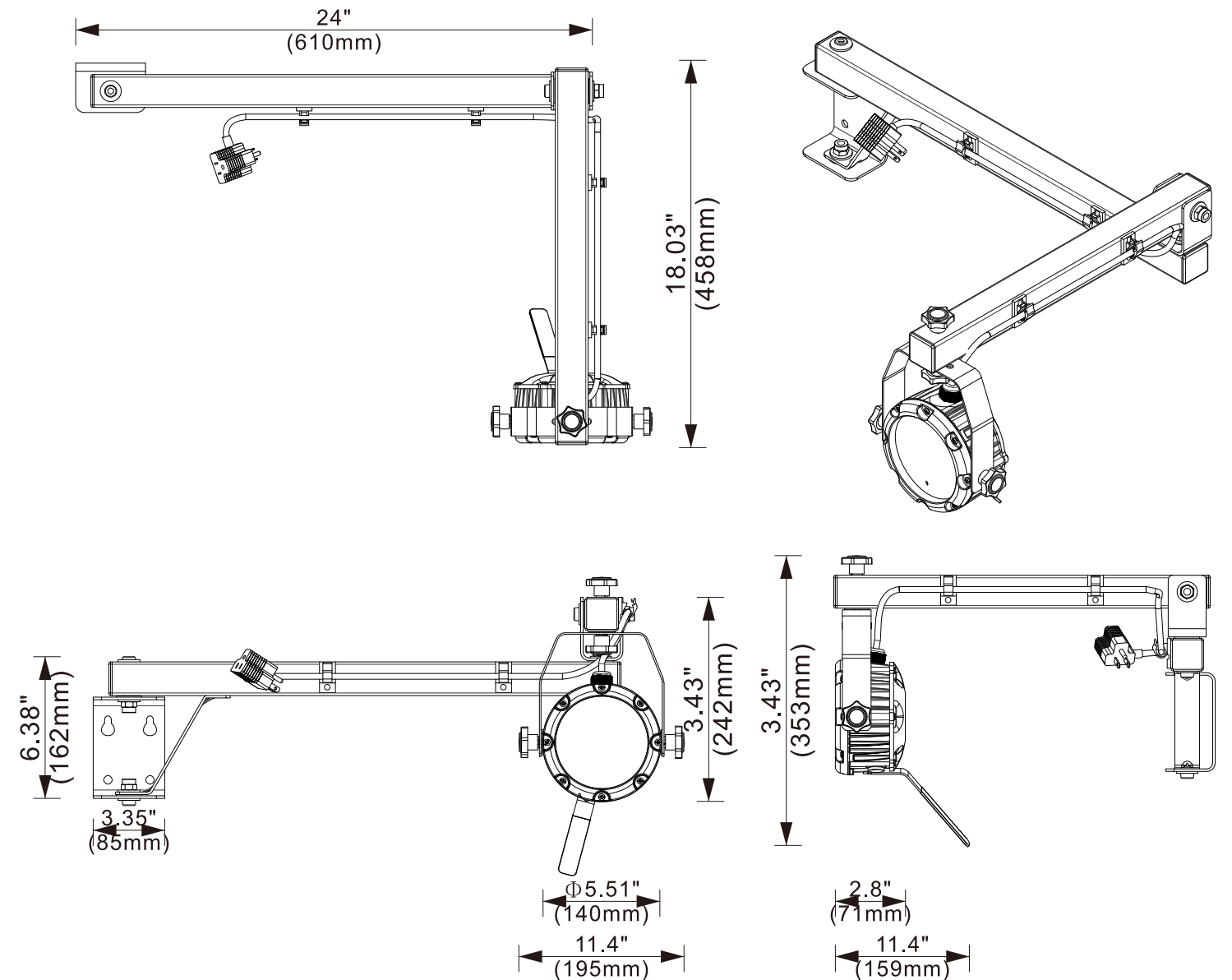
Model NO.	System Watts	Lumens	Efficacy
LED-2030B	28W	3364 lm	122 lm/W

Specification:

Example: LED-2030B

Model No.	System Watts	Input Voltage	CRI*	Color Temp*	Finish	Distribution	Option
LED-2030B	28W	UNV= 120-277VAC	7=70+	50=5000 K	Yellow	Type V	BLANK = No Sensor

Dimension:



Scan QR CODE
for more information



* Different LED Kelvin temperature available with 4-6 week lead time. Please call for a quote.

** DISCLAIMER: This test report was produced in accordance with IES LM-79 photometric testing protocol for luminaires, using a single representative test fixture. Actual production units may vary from the values reported here by up to ±10%.

505 S. Yorbita Road, City of Industry, CA 91744, USA

Tel: (626) 839-8868 Fax: (626) 581-8099

e-mail: sales@grandlite.com

www.grandliteled.com



* Different LED Kelvin temperature available with 4-6 week lead time. Please call for a quote.

** DISCLAIMER: This test report was produced in accordance with IES LM-79 photometric testing protocol for luminaires, using a single representative test fixture. Actual production units may vary from the values reported here by up to ±10%.